

- Screw terminal connections
- AC coil
- Panel mount

	26.01	26.02,04,06,08	26.03
	- Single phase switch 1 NO	- Double phase switch 2 NO	- 1 NC + 1 NO
Contact specifications			
Number of contacts	1 NO	2 NO	1 NC + 1 NO
Rated current/Max. peak current	A 10/20	A 10/20	A 10/20
Rated voltage/Max. switching voltage	V AC 250/400	V AC 250/400	V AC 250/400
Rated load in AC1	VA 2,500	VA 2,500	VA 2,500
Rated load in AC15 (230 VAC)	VA 500	VA 500	VA 500
Nominal lamp rating: incandescence (230V)	W 800	W 800	W 800
compensated fluorescent (230V)	W 360	W 360	W 360
uncompensated fluorescent (230V)	W 500	W 500	W 500
halogens (230V)	W 800	W 800	W 800
Minimum switching load	mW(V/mA) 1,000 (10/10)	mW(V/mA) 1,000 (10/10)	mW(V/mA) 1,000 (10/10)
Standard contact material	AgNi	AgNi	AgNi
Coil specifications			
Nominal voltage	V AC (50Hz) 12 · 24 · 48 · 110 · 230	V AC (50Hz) 12 · 24 · 48 · 110 · 230	V AC (50Hz) 12 · 24 · 48 · 110 · 230
	V DC —	V DC —	V DC —
Rated power AC/DC	VA (50Hz)/W 4.5/—	VA (50Hz)/W 4.5/—	VA (50Hz)/W 4.5/—
Operating range	AC (50Hz) (0.8...1.1)U _N	AC (50Hz) (0.8...1.1)U _N	AC (50Hz) (0.8...1.1)U _N
	DC —	DC —	DC —
Technical data			
Mechanical life	cycles 300 · 10 ³	cycles 300 · 10 ³	cycles 300 · 10 ³
Electrical life at rated load in AC1	cycles 100 · 10 ³	cycles 100 · 10 ³	cycles 100 · 10 ³
Maximum impulse duration	1 h (according to EN60669)	1 h (according to EN60669)	1 h (according to EN60669)
Insulation between coil and contacts (1.2/50µs)	kV 4	kV 4	kV 4
Ambient temperature range	°C -40...+40	°C -40...+40	°C -40...+40
Protection category	IP 20	IP 20	IP 20
Approvals: (according to type)		GOST	

ORDERING INFORMATION

Example: a 26 series screw terminal mount relay with double phase switch 2 NO - 10 A contacts, with coil rated at 12 V AC.

2 6 . 0 2 . 8 . 0 1 2 . 0 0 0 0

Series

Type

0 = Screw terminal

No. of poles

- 1 = Single phase switch 1 NO
- 2 = Double phase switch 2 NO
- 3 = Double phase switch 1 NO + 1 NC
- 4 = 4 sequence double phase switch 2 NO
- 6 = 3 sequence double phase switch 2 NO
- 8 = 4 sequence double phase switch 2 NO

Coil voltage

see coil specifications

Coil version

8 = AC (50 Hz)

TECHNICAL DATA

INSULATION

DIELECTRIC STRENGTH		
- between supply and contacts	V AC	3,500
- between open contacts	V AC	2,000
- between adjacent contacts	V AC	2,000

OTHER DATA

26.01

26.02, 26.03, 26.04, 26.06, 26.08

POWER LOST TO THE ENVIRONMENT		26.01		26.02, 26.03, 26.04, 26.06, 26.08	
- with rated current	W	0.9		1.8	
MAX WIRE SIZE		solid cable	stranded cable	solid cable	stranded cable
	mm ²	1x4 / 2x2.5	1x2.5 / 2x2.5	1x4 / 2x2.5	1x2.5 / 2x2.5
	AWG	1x12 / 2x14	1x14 / 2x14	1x12 / 2x14	1x14 / 2x14
SCREW TORQUE	Nm	0.8		0.8	

COIL SPECIFICATIONS

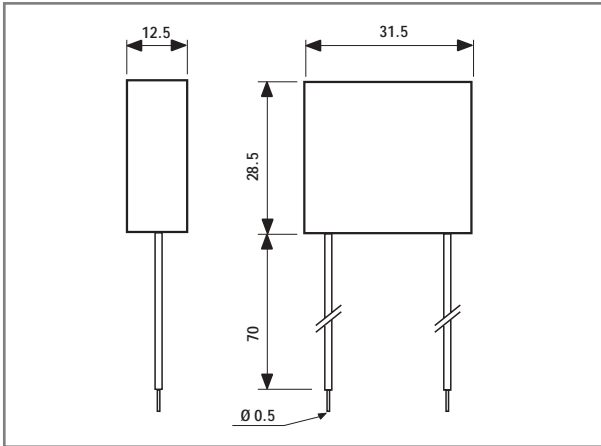
AC VERSION DATA

Nominal voltage U_N V	Coil code	Operating range		Resistance R	Consumption I at U_N (50Hz) mA
		U_{min} V	U_{max} V		
12	8.012	9.6	13.2	17	370
24	8.024	19.2	26.4	70	180
48	8.048	38.4	52.8	290	90
110	8.110	88	121	1,500	40
230	8.230	184	253	6,250	20

TYPE	Number of steps	SEQUENCES			
		1	2	3	4
26.01	2				
26.02	2				
26.03	2				
26.04	4				
26.06	3				
26.08	4				

ACCESSORIES

12-24 V DC CONTROL APPLICATIONS

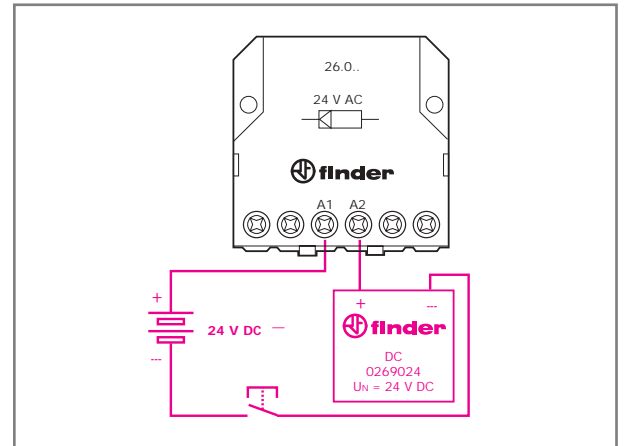


Type: 026.9.012

NOMINAL VOLTAGE: 12 V DC
 MAX TEMPERATURE: + 40 °C
 OPERATING RANGE: (0.9...1.1)U_N

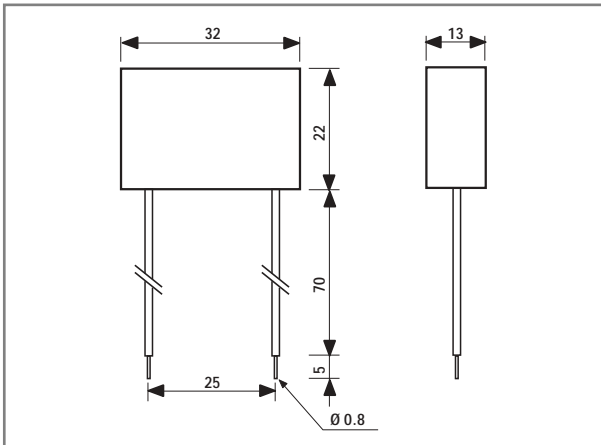
Type: 026.9.024

NOMINAL VOLTAGE: 24 V DC
 MAX TEMPERATURE: + 40 °C
 OPERATING RANGE: (0.9...1.1)U_N



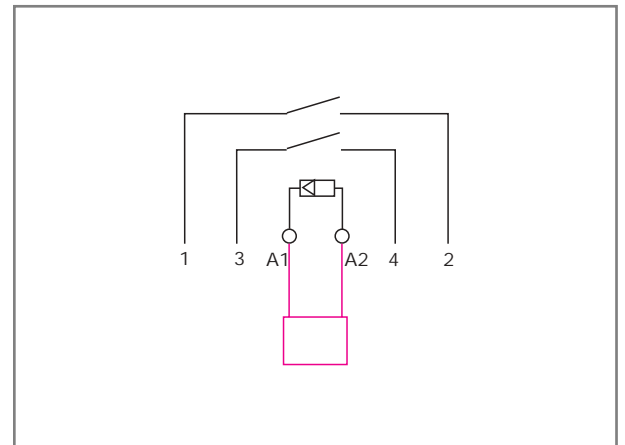
Example of wiring for 24 V DC control application.

MODULE FOR ILLUMINATED PUSH-BUTTONS



Type 026.00

Sealed version, 7.5 cm insulated and flexible terminals.



Example of wiring diagram of type 026.00

This module is necessary if using up to a maximum of 15 illuminated pushbuttons (1.5 mA max, 230 V AC) in the switching input circuit. It must be connected in parallel to the coil of the relay (see diagram).